



# SPECIFICATION

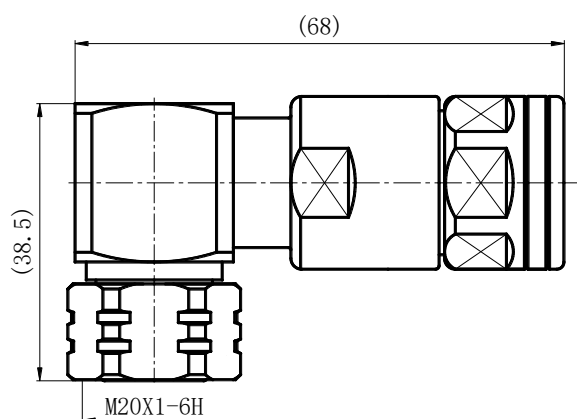
## 4.3/10 MALE R/A CONNECTOR FOR 1/2" FEEDER CABLE

4.3/10 connector system is designed to meet the rising performance needs of mobile network equipment e.g. to connect the RRU to the antenna. The small size and low weight of these connectors do justice to the miniaturization of mobile radio network components. Despite their size, the connectors guarantee excellent return loss and passive inter-modulation performance (PIM) levels.

Three different coupling mechanisms of the plug connectors screw, quick-lock/push-pull and hand-screw types are mateable with all jack connectors. All of the 4.3-10 connectors meet the requirements of IP68 and, because of the excellent properties of materials used, are suitable for temperatures ranging from -40°C up to +85°C. Customized connector designs for use at higher temperatures are also possible on demand.

Designed for Fast and Easy Installation

Standards		IEC61169-54	
Electrical Characteristics		Mechanical Characteristics	
Contact resistance inner conductor	$\leq 1.0 \text{ m}\Omega$	Recommended coupling torque	5-10Nm
Contact resistance outer conductor	$\leq 1.0 \text{ m}\Omega$	Durability (mating cycles)	$\geq 100$
Insulation resistance	$\geq 5.0 \text{ G}\Omega$	Material: spring contacts	Brass
Voltage proof	2.5KV/50Hz	Material: outer conductor	Brass
Impedance	50 $\Omega$	Material: other metal parts	Brass
Passive inter-modulation	-166dBc@2 x 43 dBm.	Material: insulators	PTFE
Return loss: Angle type	26.4 dB@3 GHz; 20.8dB@/6 GHz	Plating: Inner conductor	Ag
Working voltage	1.8KV/50Hz	Plating: Outer conductor	Ni/Tri-alloy
Frequency range up to	12GHz	Plating: Other metal parts	Ni/Tri-alloy



Part Number: 4.3-10 MA 1/2 S.T.

Dimensions are in millimeters

**Interface**

According to IEC 61169-54

**General Specifications**

Cable Size	1/2"
Cable Type	Foam Dielectric
Connector Interface	4.3/10
Sealing Method	Sealing rubber and shrinking sleeve
Gender	Male

**Electrical**

Characteristic Impedance	50 ohm
Frequency Range	DC-12GHz
VSWR	≤1.15(0-3G) ≤1.25(3-6G)
PIM Intermodulation@2-tonex20w	≤-160 dBc
Dielectric Withstanding Voltage	≥2500V RMS,50Hz,at sea level
Dielectric Resistance	≥5000MΩ
Contact Resistance	Center Contact ≤1.0mΩ Outer Contact ≤1.0mΩ

**Mechanical**

Durability Mating cycles ≥100 cycles

**Material and Plating**

	Material	Plating
Body	Brass	Tri-Alloy
Center conductor	Phosphor Bronze	Ag
Insulator	PTFE	-
Gasket	Silicone rubber	-
Other	Brass	Tri-Alloy

**Environmental**

Installation Temperature CF	°C(°F)	-40 to 85(-40 to 185)
Storage Temperature CF	°C(°F)	-40 to 85(-40 to 185)
Operation Temperature CF	°C(°F)	-40 to 85(-40 to 185)
Watertightness		IP68
RoHS-compliance		Full RoHS Compliance
Salt-fog test		96h